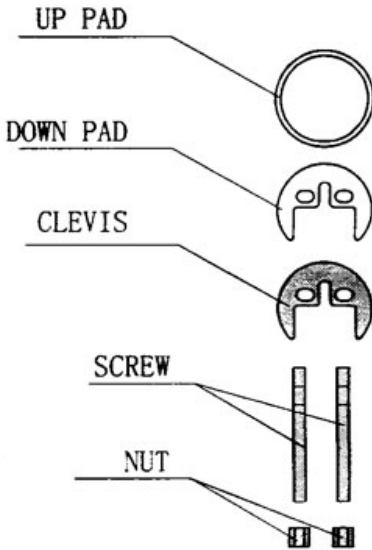
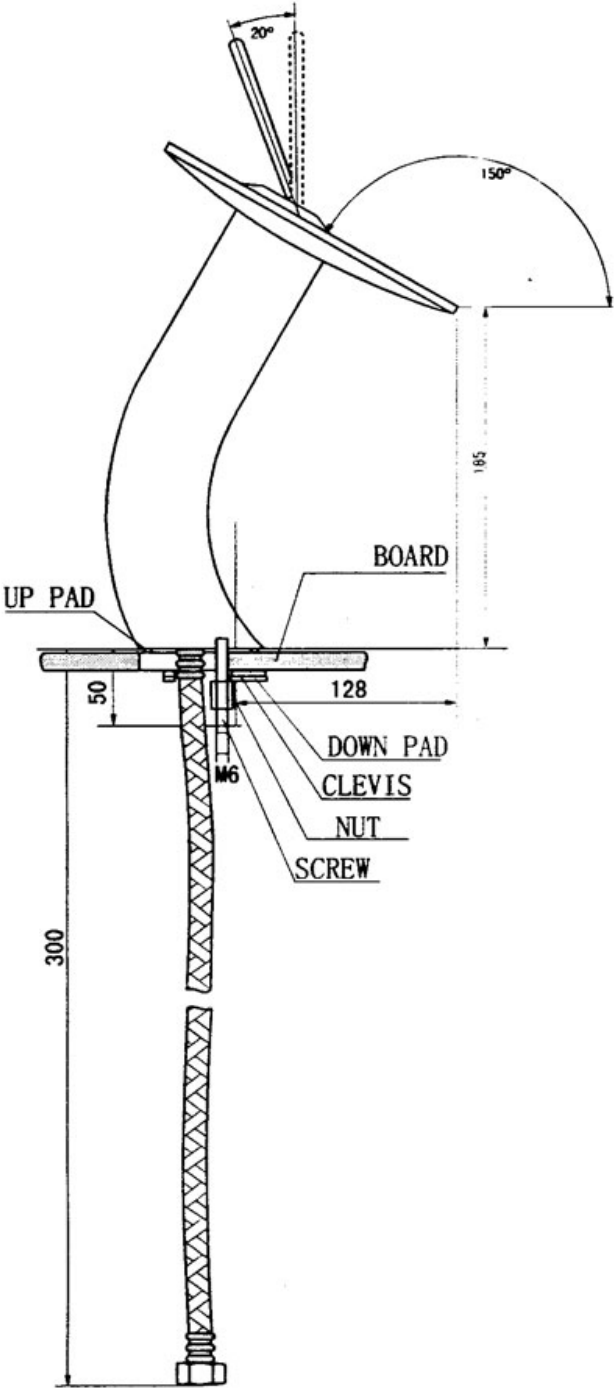
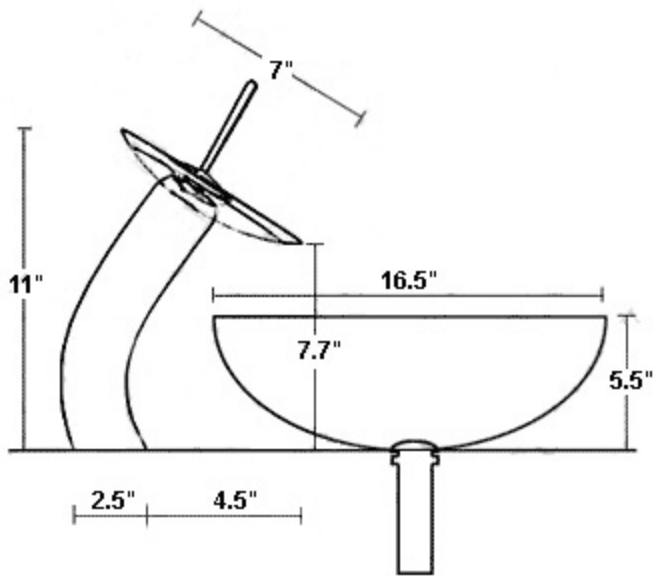


MODEL: F22T TALL WATERFALL SPEC SHEET & INSTALLATION GUIDE





NOTE: MOUNTING HOLE SIZE 1.5"
FLOW RATE: 2.2 GPM @ 60 PSI